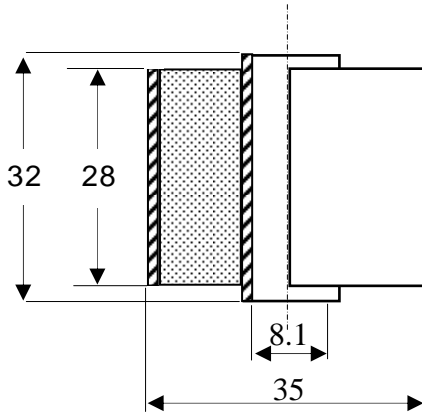


**Vibration controller**  
**Double steel sleeve 48 04 01**



Available in S H 45 - 65

Weight 0.1 Kg

Load / deflection chart

