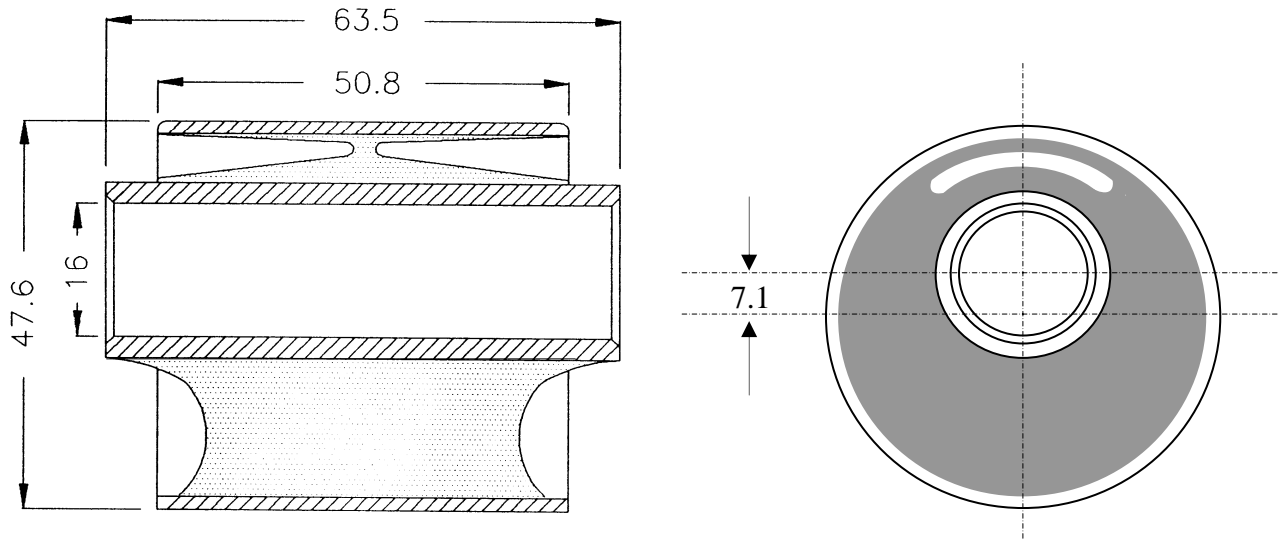


Vibration controller

Double steel sleeve 48 04 51

Eccentric



Available in S H 45 - 65

Weight 0.22 Kg

Load / deflection chart

